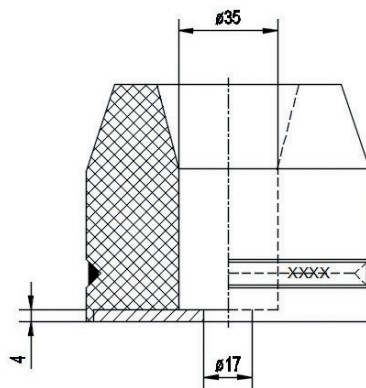
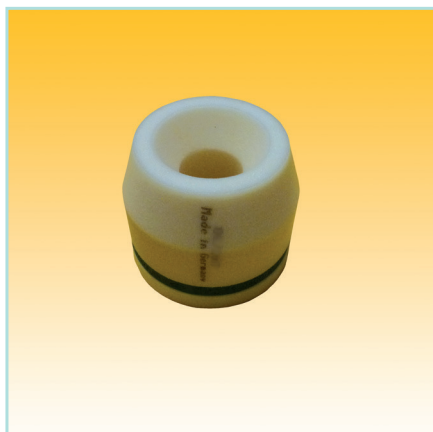


## Lift buffers to EN81-20/50 (lift directive 2014/33/EU)



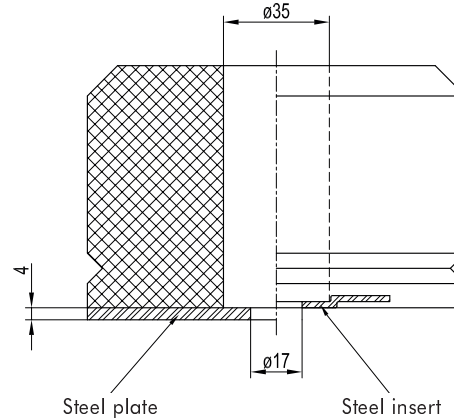
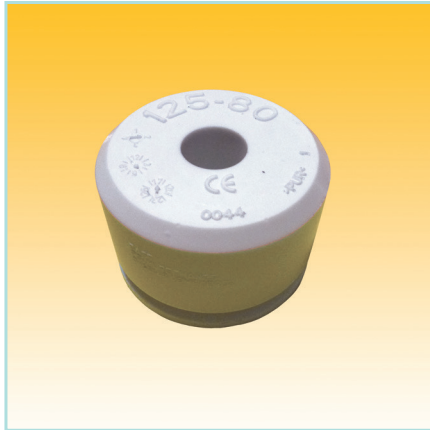
### Cell-PU buffers for nominal speed up to $v = 1,0 \text{ m/s}$

min./max. load ranges [kg] at nominal speed						
Type	Art.no.	Dimension [mm]	0,5 m/s	0,63 m/s	0,8 m/s	1,0 m/s
EN 10	320 210	∅ 100 x 80	160 1.000	160 1.000	160 1.000	250 700
EN 11	320 211	∅ 100 x 80	355 1.306	355 1.306	355 1.306	355 1.306
EN 12	320 212	∅ 100 x 100	500 1.500	500 1.500	500 1.500	400 1.300
EN 13	320 213	∅ 125 x 80	700 2.250	700 2.250	700 2.250	-
EN 15	320 215	∅ 125 x 150	400 1.600	400 1.600	400 1.600	400 1.600
EN 16	320 216	∅ 100 x 80	410 1.339	410 1.339	410 1.339	410 1.339
EN 17	320 217	∅ 125 x 200	450 1.800	450 1.800	450 1.800	450 1.800
EN 18	320 218	∅ 165 x 80	900 3.000	900 3.000	900 3.000	1.250 2.000

- The buffers are type approved in compliance with DIN EN81-20/50 (EU type examination certificates upon request or for download in our webshop).
- Static load curves, please ask if required.
- Attention; diameter at max. damper compression  $< 1.4 \times D$ , particularly important when more buffers are put next to each other.
- Due to the foamed base plate, a detachment of the mounting plate from the buffer is impossible.

**NEW**

## Lift buffers to EN81-20/50 (lift directive 2014/33/EU)



### Cell-PU buffers for nominal speed up to $v = 1,0$ m/s

min./max. load ranges [kg] at nominal speed							
Type	Art.no.		Dimension [mm]	0,5 m/s	0,63 m/s	0,80 m/s	1,00 m/s
	(A) Steel plate	(B) Steel insert					
A 11	320 311		∅ 80 x 80	140 1.000	140 1.000	200 500	200 500
<b>NEW</b> B 10	320 510		∅ 80 x 80	140 1.650	140 1.650	180 700	180 700
<b>NEW</b> B 11	320 511		∅ 80 x 80	250 3.000	250 3.000	350 1.400	350 1.400
A 12	320 312	321 312	∅ 100 x 80	200 1.650	200 1.650	350 700	350 700
<b>NEW</b> B 12	320 512	321 512	∅ 100 x 80	330 3.900	330 3.900	450 1.700	450 1.700
A 13	320 313	321 313	∅ 125 x 80	240 5.000	240 5.000	570 1.100	570 1.100
<b>NEW</b> B 13	320 513	321 513	∅ 125 x 80	350 4.800	350 4.800	600 2.000	600 2.000
A 14	320 314	321 314	∅ 165 x 80	470 7.800	470 7.800	1.300 1.800	1.300 1.800
<b>NEW</b> B 14	320 514	321 514	∅ 165 x 80	700 9.400	700 9.400	950 3.600	950 3.600
A 15	320 315	321 315	∅ 140 x 110	320 5.200	320 5.200	550 2.000	550 2.000
<b>NEW</b> B 15	320 515	321 515	∅ 140 x 110	400 6.000	400 6.000	500 3.200	500 3.200

- The buffers are type approved in compliance with DIN EN81-20/50 (EU type examination certificates upon request or for download in our webshop).
- Static load curves, please ask if required.
- Max. transverse strain of all buffers is  $< 1.4 \times D$ . Please maintain the clearances if you install two or more buffers next to each other.
- Attention; max damper compression
- Please note, for buffers with steel insert (Art.no. 321...) at max. damper compression a seating of 1.4 times diameter is required. This is not necessary for buffers with a steel plate (Art.no. 320...).