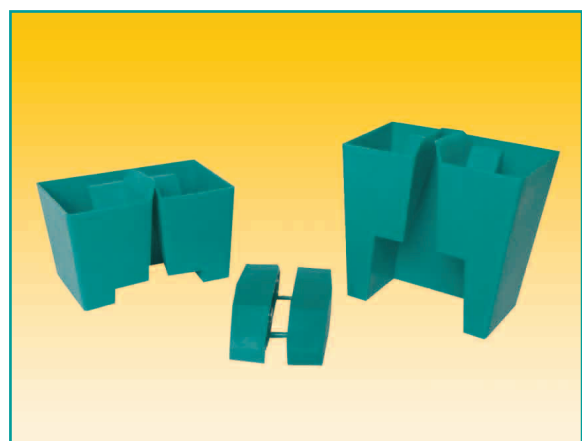
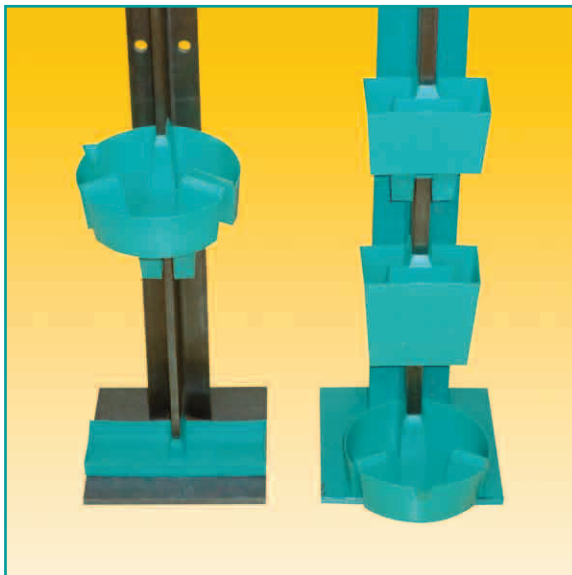
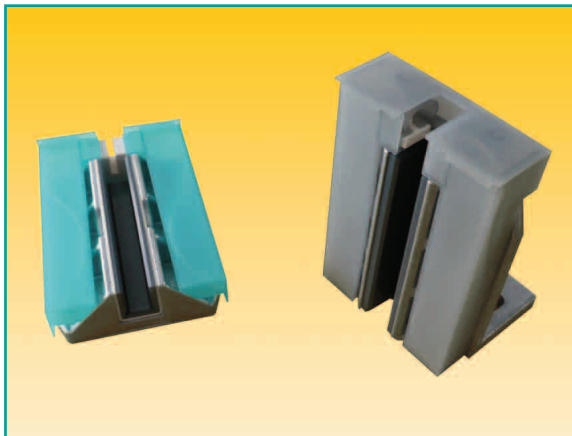


GUIDE RAIL LUBRICATORS & OIL COLLECTING POTS

2



ETN® – oil collecting pots with/without magnet holder system



Our round ETN®-oil collecting pot is designed for universal application for guide rail widths 5 - 16 mm.

The square **pot** was developed for guide rail widths 5 - 28,6 mm. On the basis of its small depth, it can be used particularly in shafts with restricted space.

For both types we are able to deliver a **magnet holder system**. It will be possible to fix the reservoir at **any position at the rail** safely and **without an extra supporting surface**. Like this you will be able to collect oil at guide rails which do not end at the shaft floor.

You can use this simple fixing **without any tools**. It consists of a magnet holder which has more than enough adhesive power, that **slipping is impossible even if the rail is strongly greased**. This magnet holder is

embraced in a mount, which has a special geometry like a **sliding guide**. As a result the collecting pot will **always stay into the right position** at the guide rail.

The oil collecting pot has a very low centre of gravity. Like this you can put the reservoir **directly at the shaft floor, too - without magnet holder system**.

The **geometry of the sealing lips of the ETN®-oil collecting pots were further optimized**. The sealing lips have a gradient to the direction of the collecting pot. In this way the lips have got a forced-guide for the collecting oil.

All parts are made of a special ETN® plastic. This guarantees a permanent elasticity of the lips. The mounting with magnet holder system at the end of the rail prevents contamination of the shaft floor by sloping and spurting oil drops.

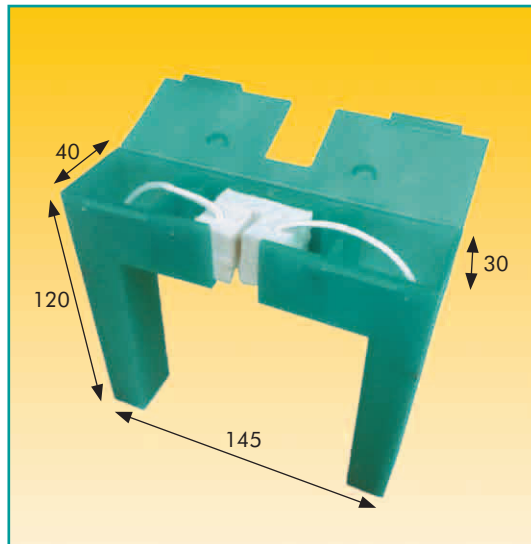
Note:

The collecting pot and the magnet holder system (housing) consist of a non-polluting material (polythen). You can empty the pot very easy and stack with a minimum use of space.

Article	Art.no.	Guide rail widths [mm]	Guide rail overhang [mm]	Pot width [mm]	Pot height [mm]
Magnet holder system two-part	306 010	5 - 19	-	-	-
Oil collecting pot, round					
Oil collecting pot, round	306 008	5 - 16	113 - 120	Ø 160	50
Oil collecting pot, white, round	306 001	5 - 16			
Oil collecting pot, white, round	306 003	5 - 16			
Plastic platform	306 014	5 - 16	-	-	-
Oil collecting pot, square, high					
Oil collecting pot, square, high	306 007	5 - 6	32,5	120	110
	306 006	9 - 10			
	306 005	16			
	306 015	19			
	306 016	28,6*			
Oil collecting pot, square, low					
Oil collecting pot, square, low	306 020	5 - 6	32,5	120	60
	306 021	9 - 10			
	306 022	16			
Oil collecting pot, square, very low					
Oil collecting pot, square, very low	306 074	9 - 10*	30	200	20
	306 079	16*			

* not suitable with magnet holder system

ETN® – Guide rail lubricators

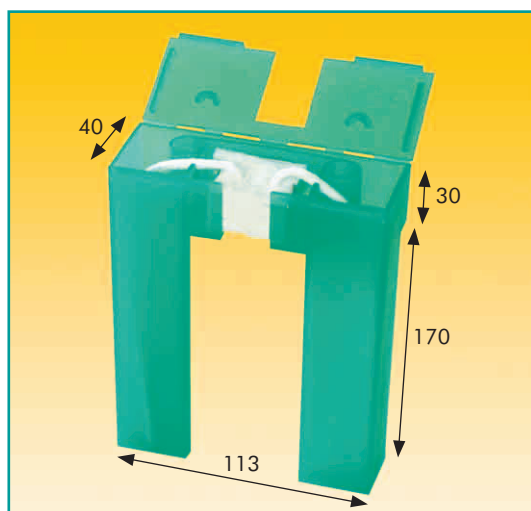


Guide rail lubricator ETN® 120

universal application for guide rail widths 5-16 mm
Art.no. 305 000 / only for PECU-Insert **Art.no. 305 000-P**
 for guide holder HSMK, WSMK, HSM, WSM, HSM-GG 140, HSML, WSML, HSMLS, HSMLN, WSMLN, HSMEL and WSMEL

special versions for guide rail widths
 16,0 mm **Art.no. 305 035** (for HSMEL Art.no. 300 012 only)
 19,0 mm **Art.no. 305 011**
 20,0 mm **Art.no. 305 030**
 28,6 mm **Art.no. 305 007**
 32,0 mm **Art.no. 305 034**

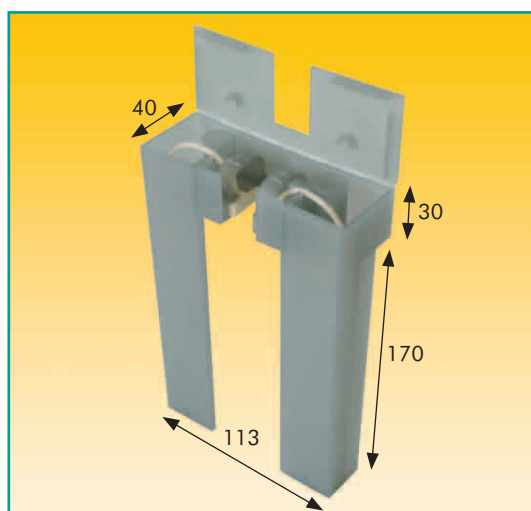
- robust desing, one piece, therefore no dripping oil
- large oil storage capacity
- for easy assembly – also in pre-assembled guide holder
- easy to replace
- oil-saving due to capillary action
- shapely design in conjunction with guide holder



Guide rail lubricator ETN® 170

universal application for guide rail widths 5-16 mm
Art.no. 305 070 / only for PECU-Insert **Art.no. 305 070-P**
 for guide holder HSM, WSM, HSM-GG 140, HSMLN and WSMLN

- very compact and space-saving
- does not exceed the shoe at the side
- comp. cover page
- further advantages – refer to ETN®120
- shapely design in conjunction with guide holder



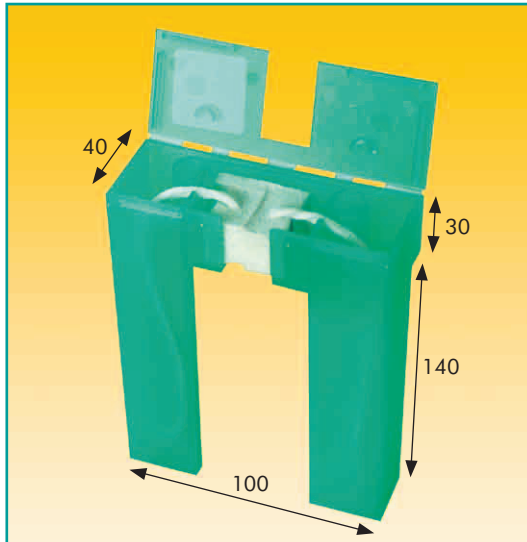
Guide rail lubricator ETN® 160

universal application for guide rail widths 5-16 mm
Art.no. 305 080 / only for PECU-Insert **Art.no. 305 080-P**
 for guide holder HSM, WSM, HSMLN and WSMLN

- **1/10 oil consumption in comparison to standard oiler**
- felts without preload
- further advantages – refer to ETN®170
- for inserts out of ETN®-HM-1000 only
- shapely design in conjunction with guide holder



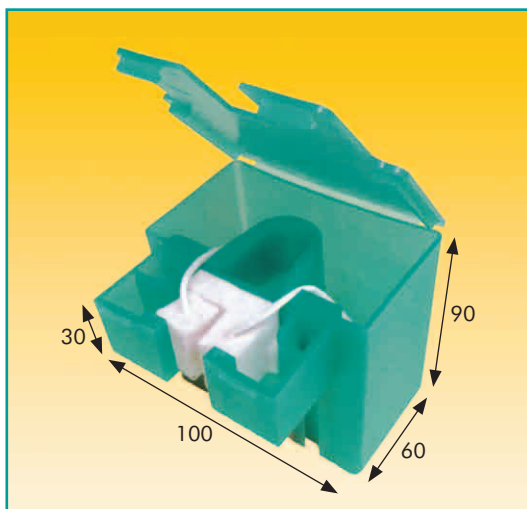
ETN® – Guide rail lubricators



Guide rail lubricator ETN® 110

universal application for guide rail widths 5-16 mm
Art.no. 305 050 / only for PECU-Insert **Art.no 305 050-P**
 for guide holder HSMS and SiS

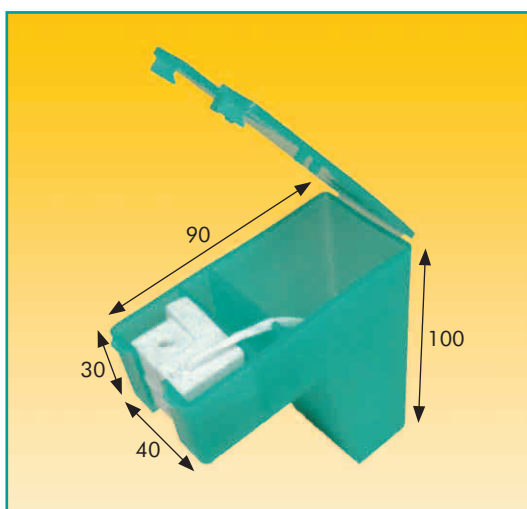
- very compact and space-saving
- does not exceed the shoe at the side
- further advantages – refer to ETN®120



Guide rail lubricator ETN® 100

universal application for guide rail widths 5-16 mm
Art.no. 305 012/only for PECU-Insert **Art.no 305 012-P**
 for guide shoes WSMK, WSM, WSMKL and WSMK L10

- robust design, one piece, therefore no dripping oil
- large oil storage capacity
- for easy assembly –also in pre-assembled guide holder
- easy to replace
- oil-saving due to capillary action



Guide rail lubricator ETN®-S

Thin version

special version for guide rail widths 5-10 mm

Art.no. 305 045

Special use otherwise like rail lubricator ETN® 100

- with adapters suitable for WSMK (Art.no. 303 248)

