

Replacement rollers for ETN®-Roller guides

		Spare roller with or without axle				
	Roller guides	Art.no.	Quantity	Roller (A/B)*	Art.no. Roller without axle	Art.no. Roller with axle
Roller guides for counterweight GG	GG1	300 050	1	B	450 004	453 000
			2	A	450 003	453 001
	GG2	300 051	1	B	450 004	453 000
			2	A	450 005	453 002
	GG3	300 052	1	B	452 004	453 003
			2	A	452 003	453 004
	GG4	300 053	1	B	452 004	453 003
			2	A	452 005	453 005
	GG5	300 054	1	B	450 004	453 000
			2	A	450 109	453 006
	GG6	300 055	1	B	452 004	453 003
			2	A	450 253	453 007
	GG7	300 053-W	1	B	450 281	453 008
			2	A	450 280	453 009
	GG8	300 055-W	1	B	450 281	453 008
			2	A	450 249	453 010
Roller guides FK-ST - Roller with steel core -	FK-ST 1	300 060	1	B	450 056-A	453 019
			2	A	450 032-D	453 020
	FK-ST 1-S	300 060-S	1	B	452 056	453 031
			2	A	452 032	453 039
	FK-ST 2	300 061	1	B	450 056-A	453 019
			2	A	450 055-A	453 021
	FK-ST 2-S	300 061-S	1	B	452 056	453 031
			2	A	450 320	453 040
	FK-ST 3	300 062	1	B	450 056-A	453 019
			2	A	450 058	453 022
	FK-ST 3-S	300 062-S	1	B	452 056	453 031
			2	A	450 061	453 041
	FK-ST 4	300 063	1	B	450 056-A	453 019
			2	A	450 031-A	453 023
	FK-ST 4-S	300 063-S	1	B	452 056	453 031
			2	A	450 031-W	453 032
	FK-ST 5	300 064	1	B	450 056-A	453 019
			2	A	450 054	453 024
	FK-ST 6	300 065	1	B	450 056-A	453 019
			2	A	450 077	453 025
FK-ST 7	300 066	1	B	450 207	453 026	
		2	A	450 208	453 027	
FK-ST 8	300 067	1	B	450 207	453 026	
		2	A	450 214	453 028	
FK-ST 9	300 068	1	B	450 207	453 026	
		2	A	450 209	453 029	
FK-ST 10	300 069	1	B	450 207	453 026	
		2	A	450 060	453 030	
Roller guides FK-AL - Roller with aluminium core -	FK-AL 1	300 601	1	B	452 057	453 043
			2	A	452 150	453 044
	FK-AL 1-S	300 611	1	B	452 056-A	453 049
			2	A	452 155	453 050
	FK-AL 2	300 602	1	B	452 057	453 043
			2	A	452 151	453 045
	FK-AL 3	300 603	1	B	452 057	453 043
			2	A	452 152	453 046
	FK-AL 4	300 604	1	B	452 057	453 043
			2	A	452 154	453 047
	FK-AL 4-S	300 600	1	B	452 056-A	453 049
			2	A	452 031-A	453 051
	FK-AL 5	300 605	1	B	452 057	453 043
			2	A	452 153	453 048

Replacement rollers for ETN®-Roller guides

Spare roller with or without axle						
	Roller guides	Art.no.	Quantity	Roller (A/B)*	Art.no. Roller without axle	Art.no. Roller with axle
Roller guides RS	RS 1	300 070	1	A	450 031-A	453 033
	RS 2	300 071	2	A	450 031-A	453 033
	RS 3	300 072	1	A	450 058	453 034
	RS 4	300 073	1	A	450 054	453 035
	RS 5	300 074	1	A	450 053	453 036
	RS 6	300 075	2	A	450 054	453 035
	RS 7	300 076	1	A	450 075	453 037
	RS 8	300 077	2	A	450 077	453 038
Roller guides angled GGW	GGW 1	300 057	2	A	450 003	453 011
	GGW 1	300 057-A	2	A	450 003	453 011
	GGW 2	300 058	2	A	450 005	453 012
	GGW 2	300 058-A	2	A	450 005	453 012
	GGW 3	300 059	2	A	450 028	453 013
	GGW 3	300 059-A	2	A	450 028	453 013
	GGW 4	300 056	2	A	452 007	453 014
	GGW 4	300 056-A	2	A	452 007	453 014
	GGW 5	300 046	2	A	450 003	453 011
	GGW 6	300 047	2	A	450 005	453 012
	GGW 7	300 048	2	A	450 028	453 013
	GGW 8	300 049	2	A	452 007	453 014
	GGW 9	300 086	2	A	450 055-A	453 015
	GGW 10	300 087	2	A	-	453 016
GGW 11	300 088	2	A	450 031-A	453 017	
GGW 12	300 089	2	A	450 031-W	453 018	
TRF	TRF 100	300 466	6	A/B	450 088-B	-
	TRF 150	300 355	6	A/B	450 328	-
Roller guides RFGW, RFGK und RFG	RFGW 1	300 095	2	A	450 087	-
	RFGW 2	300 095-A	2	A	450 088	-
	RFGK 1	300 090	1	B	450 087	-
			2	A		
	RFGK 1A	300 090-A	1	B	450 088-A	-
			2	A	450 087-A	-
	RFGK 2	300 091	1	B	450 088	-
			2	A		
	RFGK 2A	300 091-A	1	B	450 088-A	-
			2	A		
	RFG 1	300 080	1	B	450 069	-
			2	A		
	RFG 3	300 082	1	B	450 073	-
2			A			
RFG 5	300 080-A	1	B	450 073	-	
		2	A	450 069	-	

Description: A= leadingroller at the sight / B= roller for bore-hole gauge

Replacement rollers with/without axles for other manufacturers

Replacement	Outer Ø [mm]	Inner Ø [mm]	Roller width [mm]	VU Coating [°Shore A]	Ball bearing DIN 625	Art.no. (without axle)	Art.no. (with axle)	Axle	
								Eccentric	Centric
Algi	75	17	30	93	2 x 6203	450 228	450 298	X	
Algi	100	17	30	93	2 x 6203	450 150	450 243	X	
Algi	120	30	30	93	6206	450 137	450 193	X	
Haushahn	125	35	12/22	80	6007	452 065	452 065-B		X
Haushahn	125	35	12/22	93	6007	450 065	450 065-B		X
Haushahn	200	35	27/30/35	93	2 x 6007	450 068	450 068-A	X	
Kone	111	20	19/27,5/33	93	2 x 6204	450 051	450 051-A	X	
Kone	200	17	11/35	80	2 x 6203	450 170-A	450 170		X
Leistritz	100	20	25	93	6304	450 032	450 426	X	
Leistritz	125	20	30	93	6204	450 031	450 425	X	
Leistritz	180	20	35	93	6204	450 033	450 427	X	
MAN	56	10	10/18	93	2 x 6000	450 167	450 167-A	X	
Oildinamic	80	20	26/31	93	2 x 6004	450 194-A	450 194	X	
Oildinamic	123	30	30	93	6306	450 189-R	450 189	X	
Oildinamic	150	30	35	93	6306	450 190	450 190-A	X	
Otis	95	17	8/24/29	65	2 x 6203	452 133-A	452 133		X
Otis	95	17	8/24/29	96	2 x 6203	-	480 090		X
Otis	200	15	38/44	80	2 x 6202	-	450 446		X
Otis	200	17	38/44	80	2 x 6003	-	450 305		X
Schindler	62	20	25	93	6204	450 123	450 447		X
Schlosser	75	17	30	93	2 x 6203	450 228	450 423	X	
Schlosser*	100	17	30	93	2 x 6203	450 150	450 422	X	
Schlosser*	125	17	30	93	2 x 6203	450 122	450 421	X	
Schlosser*	180	20	35/40	93	2 x 6204	450 195	450 419	X	
Schlosser	180	20	15/35/40	80	2 x 6204	450 163	450 420	X	
ThyssenKrupp	100	20	18/34	80	2 x 6204	450 118	450 118-A	X	
ThyssenKrupp	100	20	18/34	93	2 x 6204	450 276	450 276-A	X	
ThyssenKrupp	115	20	24/25	80	6304	450 292	450 292-A		X
ThyssenKrupp	130	25	24	80	6305	450 255	450 255-A	X	
ThyssenKrupp	180	25	18/27	85	2 x 6205	450 117	450 117-A	X	

* Nut according to customer specifications possible

Note:

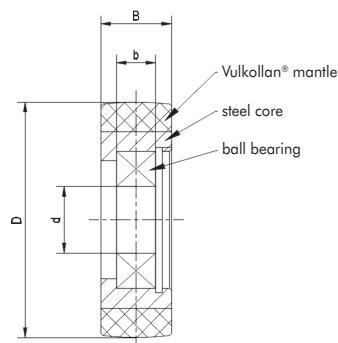
To avoid damages of ball bearings and to save time during assembly, we recommend to use the roller including new axis

Note:

rollers with aluminium core page 47

Roller programme VSL I

Roller coating out of Vulkollan®, steel core and ball bearing



Main characteristics of rollers:

- low roller friction resistance
- hard wearing materials
- extremely smooth running
- suitable for heavy loads
- excellent resistance to wear and tear
- resistance to oils, fat and ozon

Applications:

- support rollers for conveyors
- rollers for lifts
- guide rollers for sliding doors
- rollers for escalators and moving walkway

D [mm]	d [mm]	B [mm]	b [mm]	VU Coating [° Shore A]	Ball bearing DIN 625	max load [kg] at v = 1 m/s	Replacement for	Art.no.	Coating			
									c*	A*	B*	C*
28	8	11	7	93	608	15		480 053			X	
30	8	11	7	93	608	15		452 012	X			
33	7	7	7	93	627	16	Teletift	450 312		X		
40	9	15	8	93	629	42		450 277		X		
40	10	15	8	93	6000	42		450 002		X		
40	10	27	8	93	6000	76		450 001		X		
40	12	16	8	93	6001	45		450 000		X		
42	12	8	8	80	6001	10		452 008-A		X		
45	12	14	10	93	6201	44		450 369		X		
50	8	18	7	65	608	9		450 116	X			
50	10	15	8	65	6000	8	GG 7,8	450 281	X			
50	10	15	8	80	6000	23	GG 3,4,6	452 004		X		
50	10	15	8	93	6000	53	GG 1,2,5	450 004		X		
50	10	15	8	96	6000	82	GG	450 297		X		
50	10	18	11	65	6000	9		450 139	X			
50	12	18	10	93	6201	63	Otis	450 286		X		
50	17	18	10	80	6003	27	GG 3	452 003		X		
50	17	18	10	93	6003	63	GG 1	450 003		X		
56	10	14/18	18	93	2 x 6000	60	MAN	450 167		X		X
57	12	20	10	93	6201	80		450 136	X			
58	12	11/16/20	10	93	6201	65		450 172		X		X
60	17	18	10	65	6003	11	GG 7	450 280			X	
60	17	18	10	80	6003	32	GG 2	452 005			X	
60	17	18	10	93	6003	76	GG 4	450 005			X	
60	20	20	12	93	6004	84		450 006		X		
62	20	25	14	93	6204	109	Schindler	450 123		X		
70	17	12/20	12	80	6203	40	GG 5	450 253		X		X
70	17	12/20	12	93	6203	75	GG 5	450 109		X		X
70	17	18	10	93	6003	88		450 157		X		
70	17	12/20	12	65	6203	14	GG 8	450 249		X		X
70	17	25	14	93	6303	123		450 317		X		
70	20	15	12	93	6004	74		450 007	X			
70	20	20	12	93	6004	98		450 024		X		

Note:

rollers with aluminium core page 47

Roller programme VSL II

Roller coating out of Vulkollan®, steel core and ball bearing

D [mm]	d [mm]	B [mm]	b [mm]	VU Coating [° Shore A]	Ball bearing DIN 625	max load [kg] at v = 1 m/s	Replacement for	Art.no.	Coating			
									c*	A*	B*	C*
70	20	25	15	93	6304	123		450 121		X		
70	25	25	15	93	6205	123	Otis	450 025		X		
75	17	10/20	12	80	6203	40	Haushahn	452 007	X			X
75	17	10/20	12	93	6203	80	Haushahn	450 028	X			X
75	17	20	14	93	6303	112		450 079-B		X		
75	17	30	24	96	2 x 6203	248	Schlosser/Algi	450 267		X		
75	17	30	24	93	2 x 6203	158	Schlosser/Algi	450 228		X		
75	20	30	14	93	6204	158		450 211		X		
80	12	20	10	93	6201	112	Otis	450 205		X		
80	15	30	15	93	6202	168	Kleindienst	450 227		X		
80	15	35	32	93	2 x 6201	196	Bucher	450 412		X		
80	17	30	14	93	6303	168		450 350		X		
80	20	20	14	93	6204	112		450 079-A		X		
80	20	25	15	93	6304	140		450 043	X			
80	20	26/31	24	93	2 x 6004	170	Oilynamic	450 194-A		X		X
80	20	30	14	93	6204	168		450 164		X		
80	20	30	24	93	2 x 6204	168		450 238		X		
80	20	40	40	96	2 x 6204	352		450 182		X		
80	25	20	15	93	6205	112		450 009		X		
80	25	25	15	93	6205	140		450 008	X			
80	30	20	13	93	6006	112		450 368		X		
82,5	17	26	26	80	2 x 6203	64	Wittur	450 082			X	X
84	17	22	21,5	93	2 x 6003	129		450 443		X		
85	25	40	31	93	2 x 6005	238		450 146		X		
90	25	20	15	93	6205	126		450 010	X			
90	25	25	15	93	6205	158		450 011		X		
91	20	25	25	93	2 x 6004	159		450 129			X	
98	20	40	40	93	2 x 6204	274	Bucher	450 089		X		
100	15	20	20	80	2 x 6002	60	FK 1-6, 80°	452 056			X	
100	15	20	20	93	2 x 6002	220	FK	450 056-A			X	
100	15	20	20	96	2 x 6002	220	FK	450 056-B			X	
100	15	18/30	30	93	2 x 6202	160	MAN	450 168		X		X
100	15	30	30	93	2 x 6202	240	Otis	450 212		X		
100	17	20	14	93	6303	160		450 166	X			
100	17	25	20	93	2 x 6003	200		450 127		X		
100	17	30	14	93	6303	240		450 102		X		
100	17	30	15	93	6304	240		450 055-H	X			
100	17	30	24	93	2 x 6203	240	Schlosser / Algi	450 150		X		
100	17	30	30	93	2 x 6303	240		450 055-B			X	
100	20	20	14	80	6204	60		450 067	X			
100	20	20	14	93	6204	160		450 056	X			
100	20	25	15	93	6304	200	Leistriz	450 032			X	
100	20	25	25	80	2 x 6004	100	FK 1, 80°	452 032			X	
100	20	25	25	93	2 x 6004	200	FK 1	450 032-D			X	
100	20	30	30	80	2 x 6204	120	FK 2+GGW, 80°	450 320			X	
100	20	30	14	93	6204	240		450 055	X			

Vulkollan® = registered trademark of Bayer AG

For further dimensions, please see page 44

Note:

rollers with aluminium core page 47

Roller programme VSL III

Roller coating out of Vulkollan®, steel core and ball bearing

D [mm]	d [mm]	B [mm]	b [mm]	VU Coating [° Shore A]	Ball bearing DIN 625	max load [kg] at v = 1 m/s	Replacement for	Art.no.	Coating			
									c*	A*	B*	C*
100	20	30	30	93	2 x 6204	240	FK 2	450 055-A			X	
100	20	30	30	96	2 x 6204	330	FK 2	450 318			X	
100	20	18/22/34	34	80	2 x 6204	80	Thyssen	450 118		X		X
100	20	18/22/34	34	93	2 x 6204	160	Thyssen	450 276		X		X
100	20	30/34	34	93	2 x 6204	240	S & S	450 178		X		X
100	20	40	40	80	2 x 6204	160	FK 3, 80°	450 061			X	
100	20	40	40	93	2 x 6204	320	FK 3	450 058			X	
100	25	20	15	93	6205	160		450 012		X		
100	25	25	15	93	6205	200	Otis	450 013			X	
100	25	30	12	93	6005	240		450 055-D	X			
100	25	30	30	93	2 x 6005	240		450 262			X	
100	30	12/25	16	80	6206	60	Schindler	452 009		X		X
110	15	10/20		96	2 x 6002	130		450 269				X
110	20	30	15	93	6304	264		450 254		X		
110	20	25	15	93	6304	220		450 513		X		
110	25	20	15	93	6205	176		450 015		X		
110	25	25	15	93	6205	220		450 016		X		
110	25	30	15	93	6205	264		450 017		X		
110	25	30/32		93	2 x 6005	270		450 338		X		X
110	30	25	16	93	6206	220		450 275		X		
111	20	19/27,5/33	33	93	2 x 6204	175	Kone/Bauer/H&S	450 051		X		X
115	20	25	15	80	6304	83	Thyssen	450 292	X			
118	17	32	24	80	2 x 6203	151		450 115	X			
118	20	32	24	80	2 x 6004	151		450 141	X			
120	17	30	30	93	2 x 6303	288		450 206		X		
120	17	30	14	93	6303	288		450 112		X		
120	20	25	15	93	6304	240		450 187		X		
120	20	30	14	93	6204	288		450 108		X		
120	20	30	15	93	6205	288		450 020		X		
120	20	30	15	93	6304	288		450 202		X		
120	20	30	30	93	2 x 6204	288		450 210		X		
120	20	40	40	93	2 x 6204	384		450 284		X		
120	25	20	15	93	6205	192		450 026		X		
120	25	25	15	93	6205	240		450 019		X		
120	25	35	15	93	6205	336		450 063	X			
120	25	40	40	93	2 x 6005	384		450 287		X		
120	30	30	16	93	6206	288	Algi	450 137		X		
120	30	30	16	96	6206	432	Algi	450 137-A		X		
120	30	30	19	93	6306	288		450 103		X		
120	30	30		93	3206	288	Schindler	450 362		X		
123	20	26/32	32	93	2 x 6204	275	Oildinamic	450 140		X		X
123	20	40	40	93	2 x 6204	394	Bucher	450 090		X		
123	30	30	19	93	6306	295	Oildinamic	450 189-R		X		
125	17	14/30	24	93	2 x 6203	140	Schlosser	450 290		X		X
125	17	30	14	93	6303	300		450 062	X			
125	17	30	30	93	2 x 6303	300		450 107			X	

Note:

rollers with aluminium core page 47

Roller programme VSL IV

Roller coating out of Vulkollan[®], steel core and ball bearing

D [mm]	d [mm]	B [mm]	b [mm]	VU Coating [° Shore A]	Ball bearing DIN 625	max load [kg] at v = 1 m/s	Replacement for	Art.no.	Coating			
									c*	A*	B*	C*
125	17	40	40	93	2 x 6303	400		450 359			X	
125	20	20	15	93	6304	200		450 245	X			
125	20	25	15	93	6304	250		450 059-A		X		
125	20	25	25	96	2 x 6004	375		450 264			X	
125	20	30	14	93	6204	300	Leistritz	450 031	X			
125	20	30	14	93	6204	300	Leistritz	450 045			X	
125	20	30	30	80	2 x 6204	150	FK 4+GGW, 80°	450 031-W			X	
125	20	30	30	93	2 x 6204	300	FK 4, RS 1+2	450 031-A			X	
125	20	40	40	96	2 x 6204	600	FK 6, RS 8	450 077			X	
125	20	40	40	93	2 x 6204	400	FK 5, RS 4+6	450 054			X	
125	25	20	15	93	6205	200		450 021	X			
125	25	25	15	93	6205	250		450 022		X		
125	25	30	12	93	6005	300	Podelwitz	450 035		X		
125	25	30	15	93	6304	300		450 133		X		
125	25	30	15	93	6205	300		450 023		X		
125	30	30	19	93	6306	300		450 034	X			
125	30	40	26	93	2 x 6006	400		450 036		X		
125	35	12/22	14	80	6007	100	Haushahn	452 065		X		X
125	35	12/22	14	93	6007	150	Haushahn	450 065		X		X
126	17	34	14	80	6303	171		450 283		X		
128	35	19/24	14	80	6007	97	MAN	450 434	X			X
130	25	24	17	80	6305	125	Thyssen	450 255		X		
140	17	30	30	93	2 x 6003	336		450 197		X		
140	20	28/30	15	93	6304	315		450 268		X		X
148	20	40	40	93	2 x 6204	474	Bucher	450 094		X		
150	20	25	30	93	2 x 6004	300		450 192		X		
150	20	40	44	93	2 x 6204	480	RS 5	450 053			X	
150	20	40	44	96	2 x 6204	720	RS 7	450 075			X	
150	25	25	26	93	2 x 6005	300	FK 7,8,9+10	450 207			X	
150	25	25	26	96	2 x 6005	450	FK 7,8,9+10	450 330			X	
150	25	35	35	93	2 x 6005	420	Oilynamic	450 156		X		
150	25	38	38	93	2 x 6005	456		450 226		X		
150	25	40	40	93	2 x 6005	480		450 040			X	
150	30	35	19	93	6306	420	Oilynamic	450 190		X		
150	30	40	29	93	2 x 6006	480	FK 7	450 208			X	
150	35	25	35	80	6207	150	Gefedert	450 340			X	
155	20	10/30	30	80	2 x 6004	190		450 098			X	X
155	25	19	17	65	6305	20		450 041			X	X
155	35	30	30	93	2 x 6007	372		450 230		X		
180	20	35	14	93	6204	504	Leistritz	450 033		X		
180	20	35	37	93	2 x 6304	504		450 084	X			
180	25	35	37	93	2 x 6205	504		450 049	X			
180	25	18/27	40	80	2 x 6205	160	Thyssen	450 117		X		X
180	30	40	29	96	2 x 6006	864		450 273			X	
180	30	40	29	93	2 x 6006	576	FK 8	450 214			X	
200	17	11/35	26	80	2 x 6203	160	Kone/Bauer/H&S	450 170		X		X

Vulkollan[®] = registered trademark of Bayer AG.

For further dimensions, please see page 46

Note: rollers with aluminium core page 47

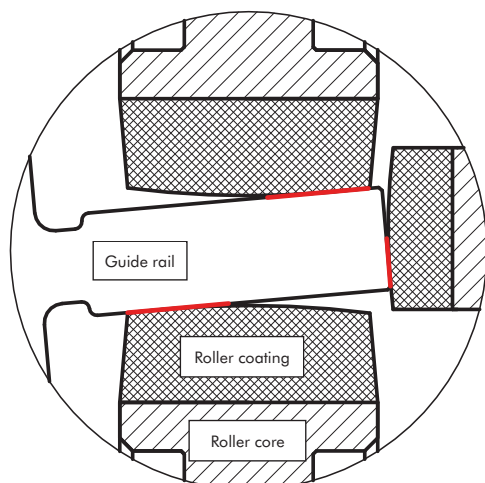
Roller programme VSL V

Roller coating out of Vulkollan®, steel core and ball bearing

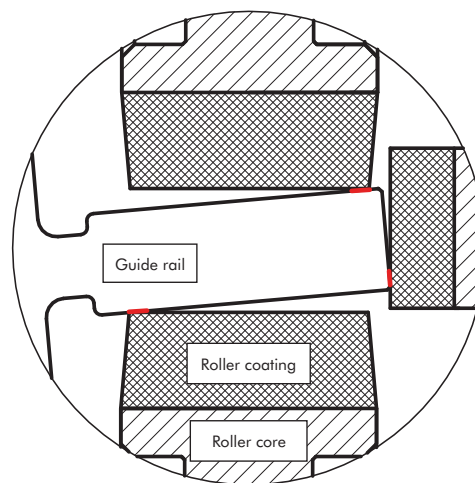
D [mm]	d [mm]	B [mm]	b [mm]	VU Coating [° Shore A]	Ball bearing DIN 625	max load [kg] at v = 1 m/s	Replacement for	Art.no.	Coating			
									c*	A*	B*	C*
200	20	25/33	24	80	2 x 6004	160	Thyssen	450 310		X		X
241	40	49	49	93	2 x 6308	945	MAN	450 188		X		
200	20	11/35	35	93	2 x 6204	320	MAN	450 169		X		X
200	25	25	25	96	2 x 6005	600		450 324			X	
200	25	40	40	93	2 x 6205	640		450 095		X		
200	30	40	29	93	2 x 6006	640	FK 9	450 209			X	
202	25	31/35/43	30	93	2 x 6205	560		450 240		X		X
244	40	49	49	93	2 x 6308	956	MAN	450 219		X		X
250	25	40	40	93	2 x 6205	800	FK 10	450 060		X		

- „c“ = cylindrical surface, without any additional processing (good true-running properties)
- „A“ = cylindrical surface, mechanically overwinded (excellent true-running properties)
- „B“ = crowned surface, mechanically overwinded (excellent true-running properties), with optimal adaption to difficult guide rails
- „C“ = conical surface

Contact surfaces of the rollers („red“) with crowned surface (e.g. R100) on a critical guide rail



Contact surfaces of the rollers („red“) with cylindrical surface on a critical guide rail

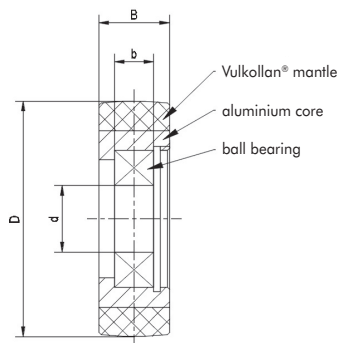


Note: On request, virtually all rollers are with crowned or cylindrical tread – available

Vulkollan® = registered trademark of Bayer AG.

Roller programme VAL

Roller coating out of Vulkollan®, aluminium core and ball bearinging



Main characteristics of rollers:

- low roller friction resistance
- hard wearing materials
- extremely smooth running
- suitable for heavy loads
- excellent resistance to wear and tear
- resistance to oils, fat and ozon
- **no rust on core**

Applications:

- support rollers for conveyors
- rollers for lifts
- guide rollers for sliding doors
- rollers for escalators and moving walkway

D [mm]	d [mm]	B [mm]	b [mm]	VU Coating [° Shore A]	Ball bearing DIN 625	max load [kg] at v = 1 m/s	Replacement for	Art.no.	Coating			
									c*	A*	B*	C*
57,5	15	24	11	93	6202	96	Schindler	450 457		X		
75	20	25	25	80	2x 6004	56	RFGK 1, RFGW	450 087			X	
75	20	25	25	80	2x 6004	56	RFGK 1-A,B,C	450 087-A			X	
83	12	12/24	24	80	2x 6201	40	ELSCO	450 213	X			X
95	17	8/29	24	65	2x 6203	30	Otis	452 133-A	X			X
100	15	20	20	80	2x 6002	160	FK, 80°	452 056-A			X	
100	15	20	20	93	2 x 6002	160	FK	452 057			X	
100	20	25	25	80	2 x 6004	100	RFGK 2	450 088			X	
100	20	25	25	80	2 x 6004	100	RFGK 1-A+2-A	450 088-A			X	
100	20	25	25	80	2 x 6004	100	TRF	450 088-B			X	
100	20	25	25	80	2 x 6004	100	FK1, 80°	452 155			X	
100	20	25	25	93	2 x 6004	200	FK1	452 150			X	
100	20	30	15	93	6304	240		450 231	X			
100	20	30	30	93	2 x 6204	240	FK 2	452 151			X	
100	20	40	40	93	2 x 6204	320	FK3	452 152			X	
100	25	30	15	93	6205	240		450 152	X			
125	17	30	24	93	2 x 6203	300	Otis / Schlosser	450 122		X		
125	20	30	30	80	2 x 6204	150	FK4, 80°	452 031-A			X	
125	20	30	30	93	2 x 6204	300	FK4	452 154			X	
125	20	40	40	93	2 x 6204	400	FK 5	452 153			X	
140	17	6/31	21,5	93	2 x 6003	130	Schindler	450 135	X			X
150	20	25	25	80	2 x 6004	150	TRF	450 328			X	
150	20	30	30	80	2 x 6004	180	RFG 1	450 069			X	X
150	20	30	30	93	2 x 6004	360	RFG 2	450 072			X	X
153	20	12/32	32	93	2 x 6204	147	Elsco	450 440	X			X
153	20	12/32	32	65	2 x 6204	60	Elsco	452 132	X			X
153	20	22/32	32	65	2 x 6204	80	Elsco	452 134	X			X
153	20	22/32	32	93	2 x 6204	269	Elsco	450 441	X			X
180	20	15/35/40	30,5	80	2 x 6204	200	Schlosser	450 163	X			X
180	20	35/40	30,5	93	2 x 6204	530	Schlosser	450 195		X		
200	17	38/44	36	80	2 x 6003	320	Otis	450 305			X	X
200	20	30	30	80	2 x 6004	240	RFG 3	450 073			X	X
200	20	30	30	93	2 x 6004	480	RFG 4	450 074			X	X
200	35	27/30/35	28	93	2 x 6007	480	Haushahn	450 068	X			X
300	30	30	30	80	2 x 6006	360	RFG 300	450 126			X	X
200	20	30	30	93	2 x 6004	480	RFG 3+4	450 074			X	

„C“ = cylindrical surface, without any additional processing (good true-running properties)
 „A“ = cylindrical surface, mechanically overwinded (excellent true-running properties)
 „B“ = crowned surface, mechanically overwinded (excellent true-running properties),
 with optimal adaption to difficult guide rails
 „C“ = conical surface
 Vulkollan® = registered trademark of Bayer AG.

