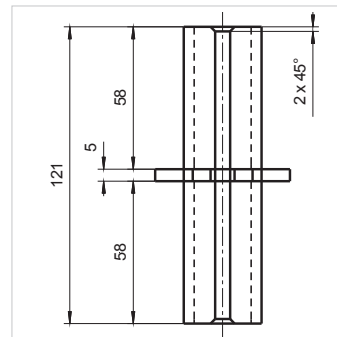
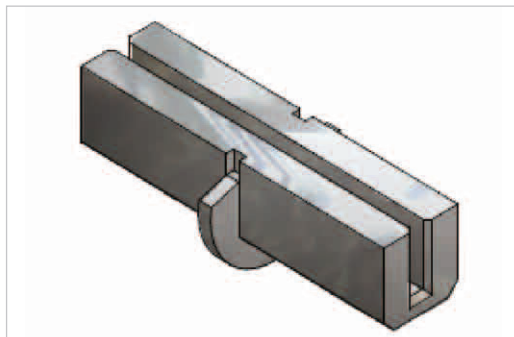


## Spare parts suitable for ThyssenKrupp



Insert [mm]	Material (Art.no.)	
	PE	PA
5	309 801	307 022*
6	309 802	
8	309 803	307 019*
9	309 804	307 017*
10	309 805	307 016*
12	309 806	307 015*
14	309 807	
16	309 808	307 014*

Equipment	Art.no.
Guide holder steel	300 500
Rubber ball	307 018
Guide rail lubricator ETN 100 + adapter	305 053

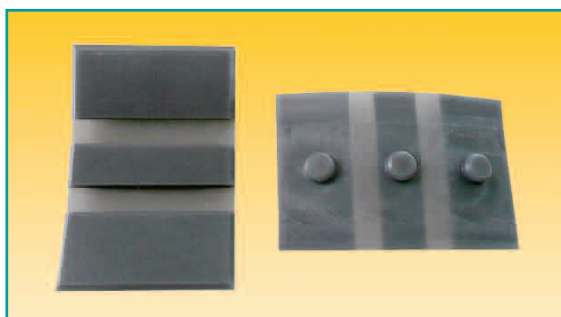
**Note:** PA-insert and rubber ball should always be ordered together



Designation	Art.no.
Roller VSL Ø 100/20 x 34/18 mm	450 118
Roller VSL Ø 100/20 x 34/18 mm incl. ecc.	450 118-A



Designation	Art.no.
Roller VSL Ø 180/25 x 27/18 mm	450 117
Roller VSL Ø 180/25 x 27/18 mm incl. ecc.	450 117-A



PE-Insert (ETN®-HM-1000)	
Guide rail width [mm]	Art.no.
5	309 195
9	309 158
14	309 249
16	309 147-A

Further articles (e.g. door accessories, lift buffers etc.) on request

5