



2000 C-MOD

Doors for
modernization

2000 C-MOD

Automatic Lift Door

ENG



APPLICATIONS		DESTINATION					
		PASSENGERS		GOODS		SPECIAL USES	
		DOORS	CARS	DOORS	CARS	DOORS	CARS
HOMELIFT		2000 T	ADAPTA VARIO				
RESIDENTIAL		2000 B 2000 C 2000 B-HR LOW	ADAPTA	2000 B-G	CARGO	2000 SWS	CUSTOM
OFFICES		2000 B 2000 C 2000 B-HR LOW	ADAPTA	2000 B-G	CARGO	2000 SWS 2000 R	CUSTOM PANOR./ CUSTOM
HIGH RISE		2000 B-HR MED 2000 B-HR TOP	VARIO	2000 B-G	CARGO	2000 HD	CARGO
HOSPITALS		2000 B 2000 B-HR LOW	VARIO	2000 B-G	ADAPTA	2000 B-G	ADAPTA
TRANSPORT		2000 B 2000 B-HR LOW	ADAPTA	2000 HD 2000 B-G	CARGO	2000 SWS	CUSTOM
MODERNIZATION		2000 T 2000 C-MOD	EASY ADAPTA	2000 B-G	CARGO	2000 HD	CARGO
HOTELS		2000 B 2000 B-HR LOW	VARIO	2000 B-G	ADAPTA	2000 R	PANORAMIC CUSTOM
SHOPPING CENTERS		2000 B 2000 B-HR LOW	ADAPTA	2000 B-G	ADAPTA	2000 HD 2000 R	CARGO PANOR./ CUSTOM
INDUSTRIAL				2000 B-G	CARGO	2000 HD	CUSTOM CARGO



Enhancing performances, passenger safety and comfort in existing lift systems

Do you need to upgrade your existing lift doors to comply with EN 81-80 requirements? Do you need a compact, flexible solution for modernization without giving up performance, quality, cost and safety? Sematic 2000 C-MOD is the answer.

Featuring a wide range of options, 2000 C-MOD doors come with or without frame, giving flexibility to your installation's needs. Car doors can be coupled with automatic or manual

swing landing doors, for those situations that need car door upgrade only. They can both be equipped with Sematic Drive System (SDS) controller for higher performances and control or with SRS for cheaper solutions.

Sematic 2000 C-MOD has a minimum 117mm bottom track package, making it a small and compact solution, without giving up the robustness and quality that are typical of our products.

PRODUCT RANGE

Model	TB min-max (mm)	TH min-max (mm)
K-S 2R/L	600 - 1400	2000 - 2300
K-S 3R/L	600 - 1400	2000 - 2300
K-S 2Z	600 - 1400	2000 - 2300
K-S 4Z	600 - 1400	2000 - 2300

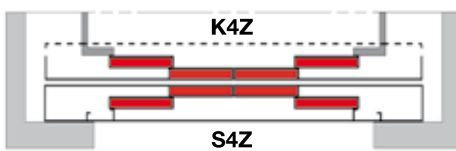
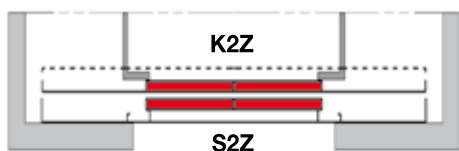
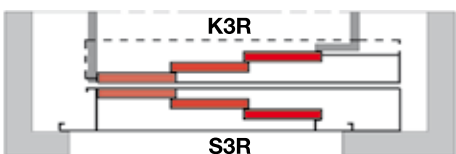
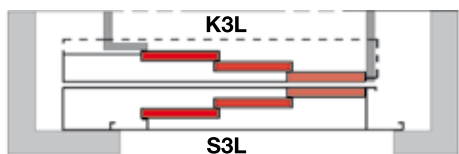
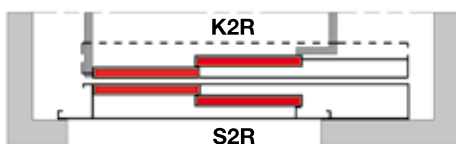
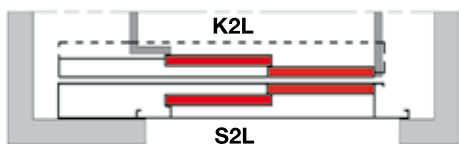
BOTTOM TRACK PACK OVERALL DIMENSION (mm)

Opening	K (car)	S (landing)	Pack ⁽¹⁾
2R/L ⁽¹⁾	67	90	185
3R/L	110	135	273
2Z	37	52	117
4Z	67	90	185

For further information see our technical catalogues

⁽¹⁾ 28mm sill distance

DOOR OPENING TYPE



FIRE RATED EXECUTIONS - EN 81-58

Model	Steel doors	Framed glass doors
S 2R/L	E 120 EW 60 EI 60 EI 120	E 120
S 3R/L		
S 2Z		
S 4Z		

BS 476, GOST and many other certifications available. Call for information.

CABINS SUGGESTED FOR THIS DOOR

> EASY

K - CAR DOOR

2R/L	3R/L	2Z	4Z
C-MOD K-AUT-B (for automatic landing door)			
•	•	•	•
C-MOD K-MAN (for manual swing landing door)			
•	•	•	•

S - LANDING DOOR

2R/L	3R/L	2Z	4Z
C-MOD-BF (with Boxed Frame)			
•	•	•	•
C-MOD-N (Naked, without frame)			
•	•	•	•
C-MOD-N-GC (Naked Gap Closing)			
•	•	•	•

DOOR AND FRAME FINISHES

STANDARD

OPTIONS

RAL 7032 powder coating	✓	✗
Other RAL Colours	✗	✓
Framed Glass	✗	✓
Stainless-steel claddings	✗	✓
Skinplate claddings	✗	✓

BOTTOM TRACK

STANDARD

OPTIONS

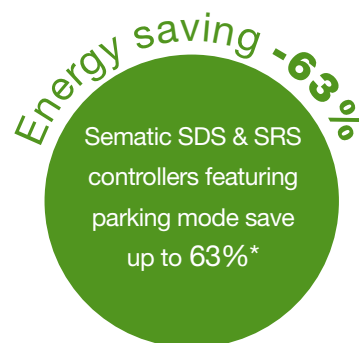
Aluminum	✓	✗
Galvanized Iron	✗	✓
Stainless-steel AISI 304	✗	✓
Stainless-steel AISI 316	✗	✓

STANDARD MOTORIZATION

Belt-driven operator with 24 Vdc optical encoder controller motor, SDS® DC-PWM technology with integrated switching transformer

- Power supply voltage: 90-290 Vac (115 V -20%, 230 V + 26%), 50-60 Hz with integrated switching.
- Power rated 200 VA.
- Emergency power supply 24/36Vdc
- Operating temperature range -10°C to +60°C
- Operating humidity range: 20% to 80%
- On-board obstacle detection (door re-opening) feature
- Separately adjustable opening and closing speed
- Integrated self-learning cycle and automated speed profiles setting
- Double TB opening management

SEMATIC FOR ENERGY SAVING



At Sematic, we take our energy use seriously.

We have developed a set of technological devices that allow our elevator components to use as little energy as possible, such as our **Sematic SDS & SRS door controller**.

* Door power consumption difference between normal standby mode and parking mode measured in laboratory



4Z execution shown in the picture

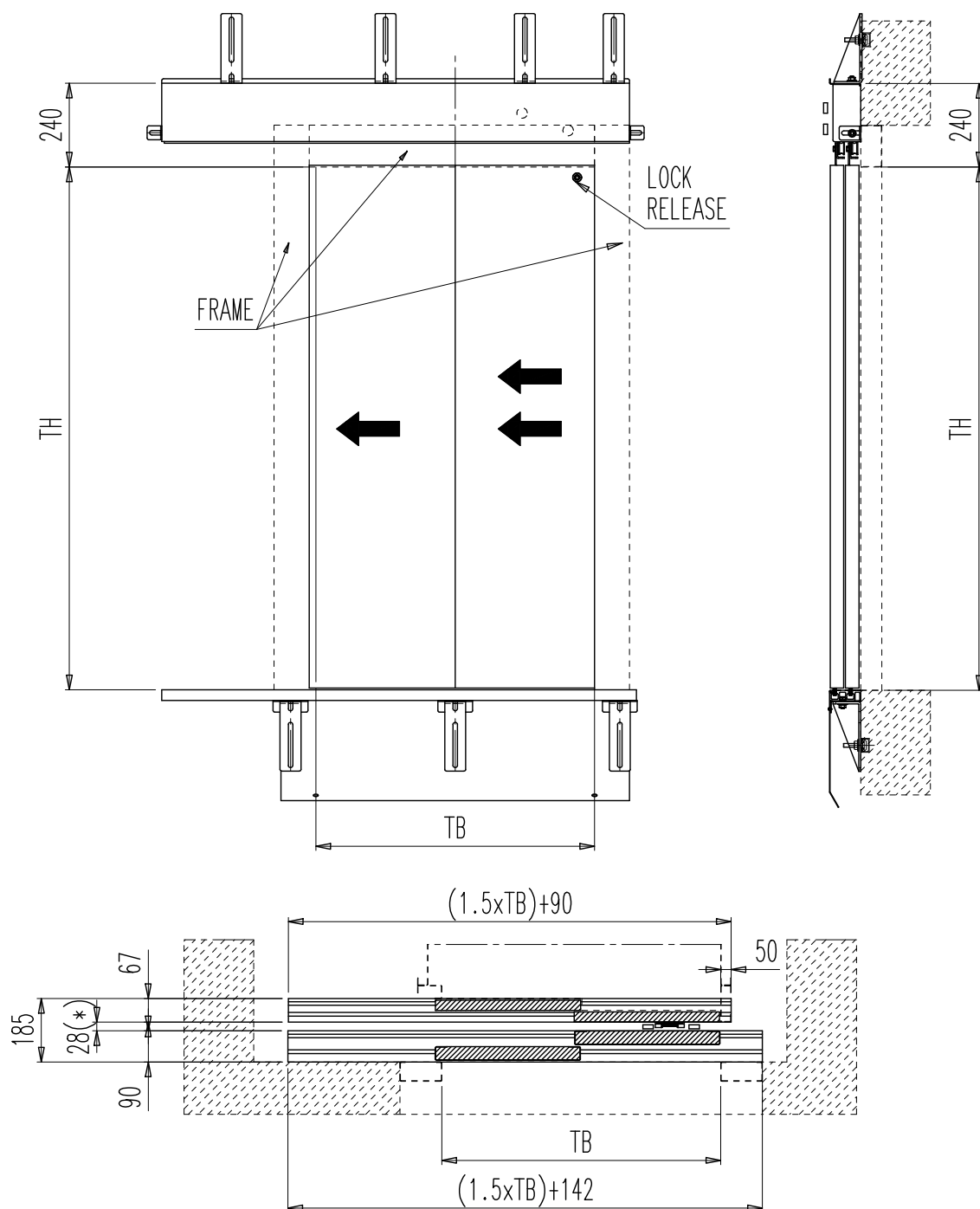
MAIN FEATURES	STANDARD	OPTIONS
Certified locking device	EN81-1/2:1998 Lift Directive 95/16/EC	x
Emergency lock release	In the panels	x
Door closing	Spirator	Counterweight Spring
Toe guard	✓	Reduced
Minimum interfloor distance	TH+700	TH+400 with special brackets and apron
Door panels	Single skin	Double skin
Long life guide shoes	✓	x
Compatibility kits	Available for a wide range of existing installations	x
Impact robust packaging	Cardboard box- ISPM15	x
Reduced door posts	x	✓
Gap closing	x	✓
Push button cut-out (LOP)	x	In frame post
Indicator cut-out (LIP)	x	In frame header
Recess installation	x	✓
Portal execution	x	✓
Sematic E.O.D (Emergency Opening Device)	x	✓
Contacts cover plate	x	IP-X3
Anti-vandal execution	x	✓

EN-81

4Z execution
shown in the picture

MAIN FEATURES	STANDARD	OPTIONS
Expansion skate	✓	✗
Motorization	See pag. 47	Brushless
Door controller	SDS	SRS
Car fixing brackets	✓	✗
Door panels	Single skin	Double skin
Long life guide shoes	✓	✗
Compatibility kits	Available for a wide range of existing installations	✗
Impact robust packaging	Cardboard box- ISPM15	✗
Locking device	✗	EN81-1/2
Toe guard	✗	✓
Detecting system	✗	✓
Sematic E.O.D (Emergency Opening Device)	✗	✓
Contacts cover plate	✗	✓
Anti-vandal execution	✗	✓
Landing door lock release key	✓	✗
Car door front	✗	✓

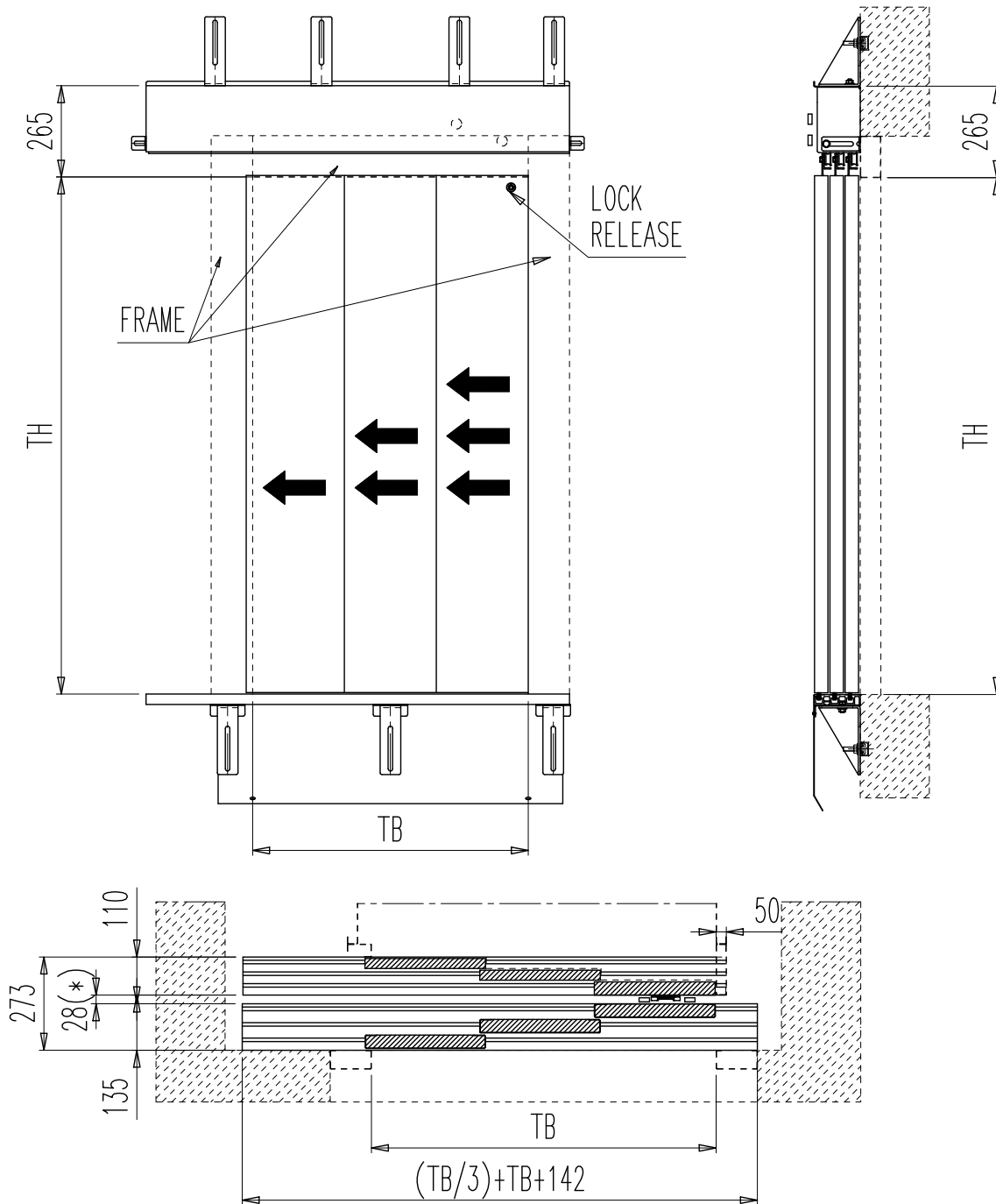
2L LAYOUT: FRONT, SIDE VIEWS AND COUPLING



NOTES

- The door shown in the drawing is the Naked version: C-MOD N and C-MOD N-GC (see pag. 53)
- The doors can be supplied with 100mm frame (dashed line in the drawing) C-MOD BF
- 2L as drawing, 2R mirrored
- (*) Sill to sill distance min. 28 – max 32 mm
- EI60/EI120 setting distance: +15 mm if not in niche
- For further information see our technical catalogues

3L LAYOUT: FRONT, SIDE VIEWS AND COUPLING

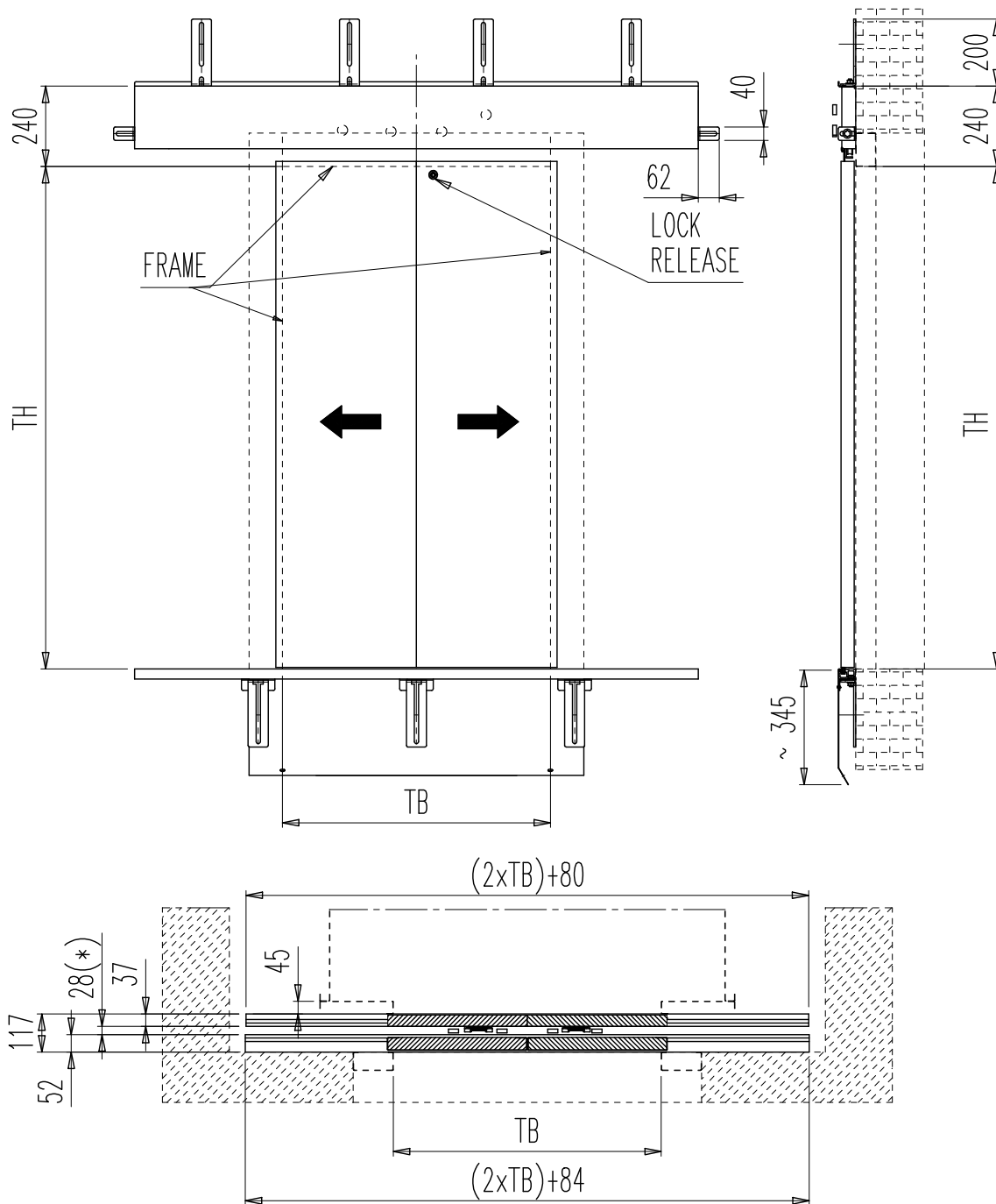


2000 C-MOD

NOTES

- The door shown in the drawing is the Naked version: C-MOD N and C-MOD N-GC (see pag. 53)
- The doors can be supplied with 100mm frame (dashed line in the drawing) C-MOD BF
- 3L as drawing, 3R mirrored
- (*) Sill to sill distance min. 28 – max 32 mm
- EI60/EI120 setting distance: +15 mm if not in niche
- For further information see our technical catalogues

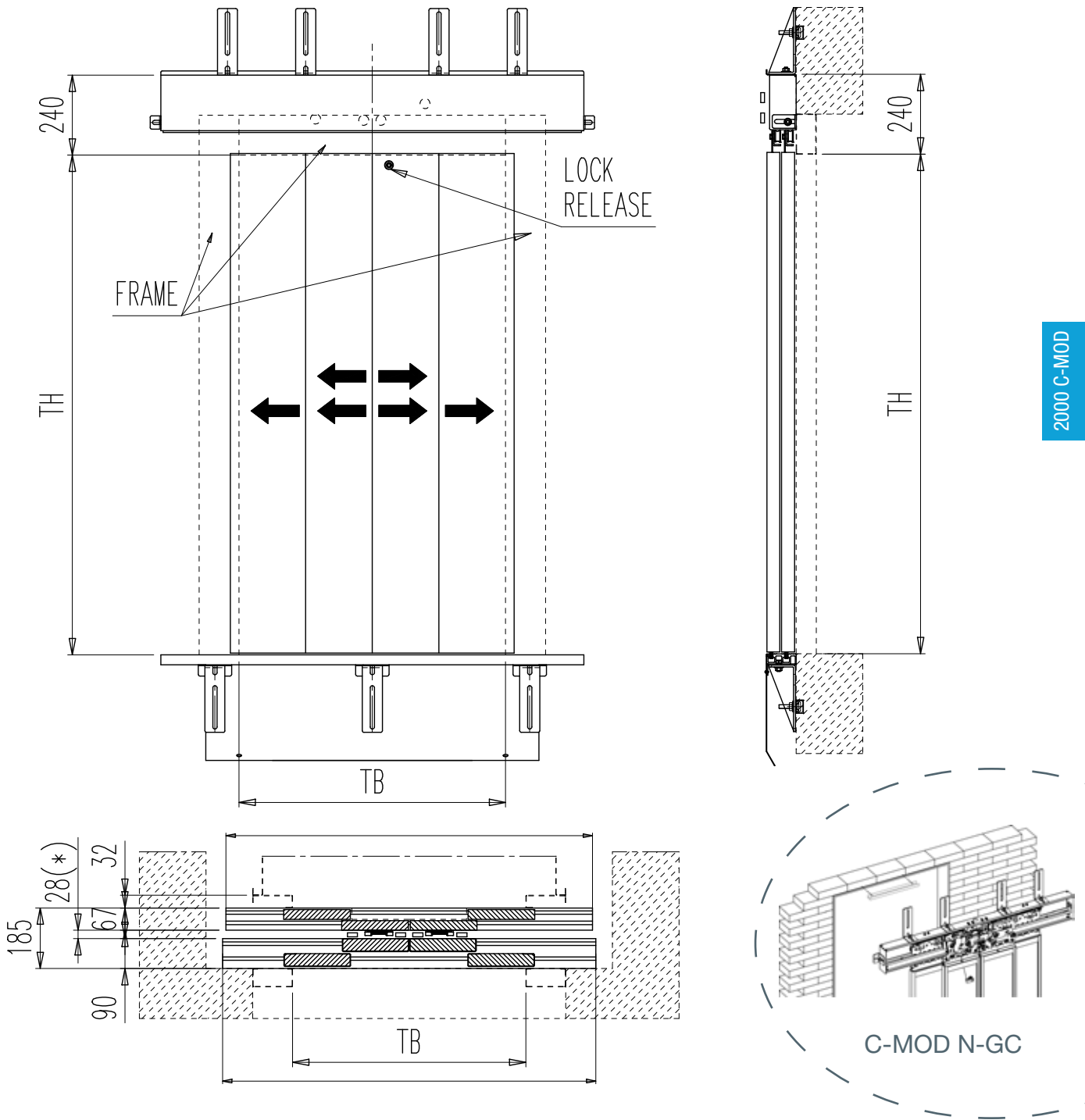
2Z LAYOUT: FRONT, SIDE VIEWS AND COUPLING



NOTES

- The door shown in the drawing is the Naked version: C-MOD N
- The doors can be supplied with 100mm frame (dashed line in the drawing) C-MOD BF
- (*) Sill to sill distance min. 28 – max 32 mm
- EI60/EI120 setting distance: +15 mm if not in niche
- For further information see our technical catalogues

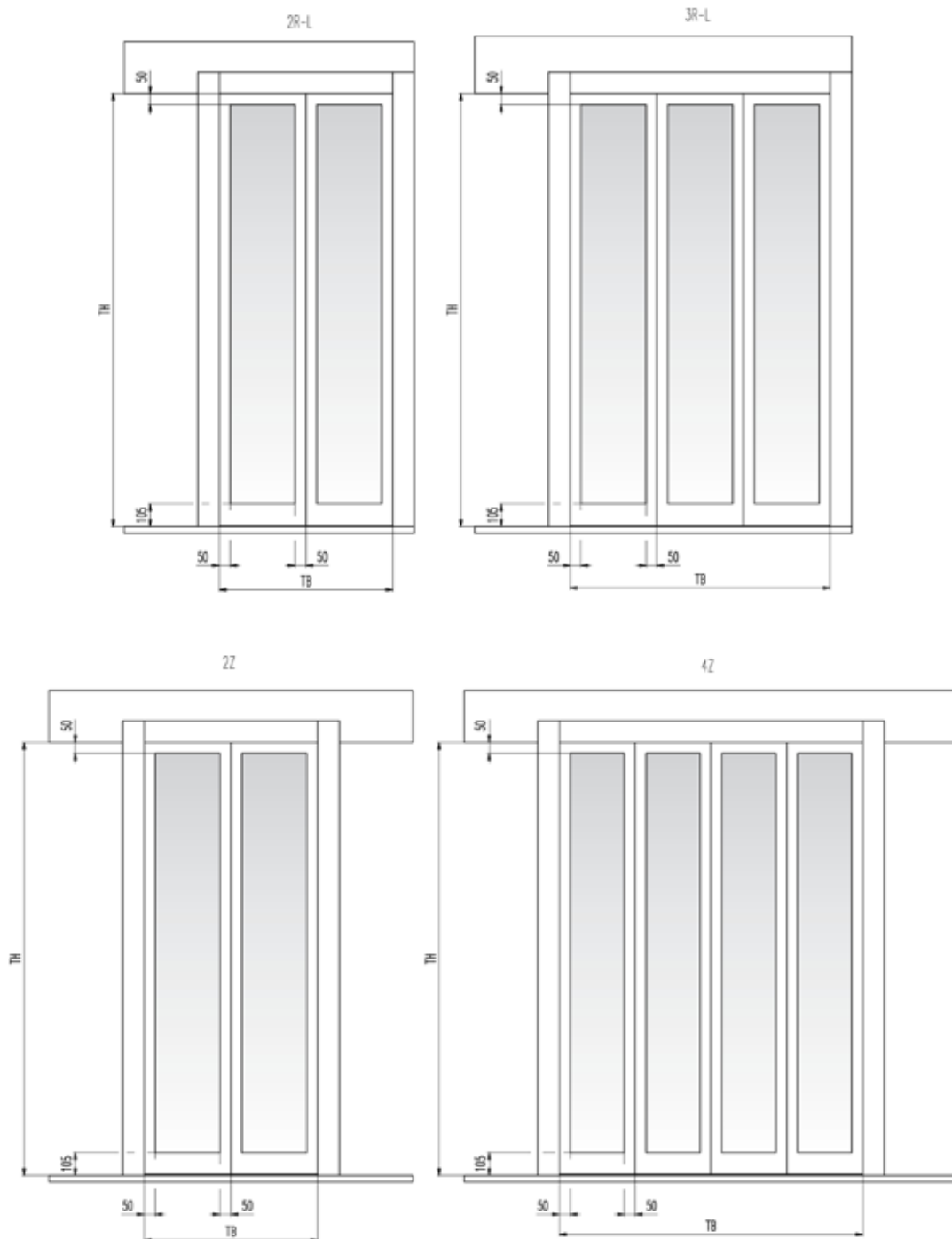
4Z LAYOUT: FRONT, SIDE VIEWS AND COUPLING



NOTES

- The door shown in the drawing is the Naked version: C-MOD N and C-MOD N-GC
- The doors can be supplied with 100mm frame (dashed line in the drawing) C-MOD BF
- (*) Sill to sill distance min. 28 – max 32 mm
- EI60/EI120 setting distance: +15 mm if not in niche
- For further information see our technical catalogues

STANDARD CONSTRUCTION WITH FRAMED GLASS PANELS



NOTES

- EN 81-58 and BS476 glass panels available too.
- For further information see our technical catalogues



Italy

Sematic Spa - Group Headquarters

Via Zappa Comm. Francesco, 5
24046 Osio Sotto, Bergamo
Tel. +39 035 48 15 100 - Fax +39 035 48 15 199
e-mail info@sematic.com

Sematic Spa- Suisio Plant

Via dei Piazzoli, 1/5
24040 Suisio, Bergamo
Tel. +39 035 49 36 111 - Fax. +39 035 90 24 51
e-mail info@sematic.com

United Kingdom

Sematic UK Ltd

Meadow Gate, Valley Park Est.
Wombwell, Barnsley, South Yorkshire S73 0UN
Tel. +44 1226 344 800 - Fax. +44 1226 344 811
e-mail info@uk.sematic.com

Turkey

Sematic Asansör San.ve Tic.Ltd.Sti.

Necip Fazıl Bulvarı Keyap Çarşı Sitesi F2 Blok No.99
Yükarıdudullu / Ümraniye, 34775 İstanbul
Tel. +90 216 508 1470 (PBX) - Fax +90 216 508 1473
e-mail info@tr.sematic.com

Hungary

Sematic Hungária Kft

Debreceni út 273
4400 Nyíregyháza
Tel. +36 42 548 410 - Fax +36 42 548 419
e-mail info@hu.sematic.com

Singapore

Sematic Singapore Pte Ltd

8 Burn Road, 1301 Trivex
369977 Singapore
e-mail info@sg.sematic.com

China

Sematic Elevator Products (Suzhou) Co., Ltd

215121, No. 52 Weixi Road, Weiting Science Park
Suzhou Industrial Park
Tel. +86 512 8717 1819 - Fax +86 512 8717 1820
e-mail info@cn.sematic.com

Sematic Elevator Products (Changshu) Co.,Ltd.

215558, No 18 Jinmen Road Changshu Southeast
Economic Development Zone of Jiangsu
Tel. + 86 512 8717 1819 - Fax +86 512 8717 1820
e-mail info@cn.sematic.com

Sematic (Hong Kong) Ltd

Unit 1807, Mindas Plaza, No. 1 Tai Yau Street,
San Po Kong, Kowloon, Hong Kong
Tel. +852 219 47 166 - Fax +852 219 47 322
e-mail info@hk.sematic.com

India

Sematic RE Elevator Products (India) Pvt. Ltd

Madhuban, F-Wing, 1st Floor, W.E. Highway, Near Dahisar
Telephone Exchange, Dahisar (E), Mumbai 400068
Tel. +91 022 2897 2184 / 3184 - Fax +91 022 2897 8643
e-mail info@in.sematic.com

Mexico

Sematic Elevadores Mexico S. de R.L. de C.V.

Bldv Revolucion Mexicana n°1001 Col Barrera,
Monclova, Coahuila 25770
Tel. +52 (866) 648 3365 / 66 / 67 - Fax (ext 160)
e-mail info@tyler.sematic.com

USA

Tyler Elevator Products Div. of Sematic USA Inc.

7852, Bavaria Road
Twinsburg, Ohio 44087
Tel. +1 216 524 0100 - Fax. +1 216 524 9710
e-mail info@tyler.sematic.com

www.sematic.com