

Doors for
panoramic lifts

2000 R

Automatic Lift Door

ENG

2000 R



 **sematic**[®]
ELEVATOR PRODUCTS



APPLICATIONS		DESTINATION					
		PASSENGERS		GOODS		SPECIAL USES	
		DOORS	CARS	DOORS	CARS	DOORS	CARS
HOMELIFT		2000 T	ADAPTA VARIO				
RESIDENTIAL		2000 B 2000 C 2000 B-HR LOW	ADAPTA	2000 B-G	CARGO	2000 SWS	CUSTOM
OFFICES		2000 B 2000 C 2000 B-HR LOW	ADAPTA	2000 B-G	CARGO	2000 SWS 2000 R	CUSTOM PANOR./ CUSTOM
HIGH RISE		2000 B-HR MED 2000 B-HR TOP	VARIO	2000 B-G	CARGO	2000 HD	CARGO
HOSPITALS		2000 B 2000 B-HR LOW	VARIO	2000 B-G	ADAPTA	2000 B-G	ADAPTA
TRANSPORT		2000 B 2000 B-HR LOW	ADAPTA	2000 HD 2000 B-G	CARGO	2000 SWS	CUSTOM
MODERNIZATION		2000 T 2000 C-MOD	EASY ADAPTA	2000 B-G	CARGO	2000 HD	CARGO
HOTELS		2000 B 2000 B-HR LOW	VARIO	2000 B-G	ADAPTA	2000 R	PANORAMIC CUSTOM
SHOPPING CENTERS		2000 B 2000 B-HR LOW	ADAPTA	2000 B-G	ADAPTA	2000 HD 2000 R	CARGO PANOR./ CUSTOM
INDUSTRIAL				2000 B-G	CARGO	2000 HD	CUSTOM CARGO



Top level features for higher aesthetic appeal

High performance solution for high traffic environments

Special finishes for any architectural project

Glass panels/finishes; the ideal solution for panoramic lifts

Under driven operator for better aesthetic harmony

EN 81-71 antivandal executions

Fire rated executions

Slim operator that allows safety glass roof ceilings

Delivering innovative design solutions for one-of-a-kind, challenging architectural projects

Have you ever thought how far design might go? Round lifts are the answer. Round doors represent the top line in aesthetic and technological level, both on the design and production viewpoints.

Typically installed in panoramic lifts, round doors have to show all those top-level features that are needed in top-level aesthetic designs. Panoramic lifts are the main examples in which underdriven operators are almost a must, reducing

the visible size of the cabin and hiding mechanisms under the floor level. Last but not least, panoramic lifts are often installed in high-traffic environments, that means high flows of people.

All of these requirements result in a high-performance and good looking product, Sematic 2000 R, that can give a plus to your elevator, making it not only a service element but also an architectural one.

PRODUCT RANGE

Model	TB min-max (mm)	TH min-max (mm)
K-S 2Z	800 - 1200	2000 - 2200

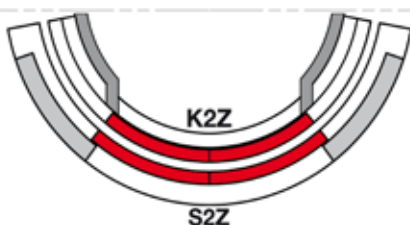
BOTTOM TRACK PACK OVERALL DIMENSION (mm)

Opening	K (car)	S (landing)	Pack ⁽¹⁾
2Z	45	105	180

Note: Minimum cabin internal diameter 930mm
For further information see our technical catalogues

⁽¹⁾ 25mm bottom track distance

DOOR OPENING TYPE



FIRE RATED EXECUTIONS - EN 81-58

Model	Steel doors	Framed glass doors
S 2Z	E 120 EW 60	-

BS 476, GOST and many other certifications available. Call for information.

CABINS SUGGESTED FOR THIS DOOR

> PANORAMIC

STANDARD MOTORIZATION

Car door operator with 42 Vdc Brushless Motor controlled by an electronic card with microprocessor SDS© - DC-PWM technology with integrated switching transformer

- Power supply voltage: 90-290 Vac (115 V -20%, 230 V + 26%), 50-60 Hz with integrated switching
- Power rated 750 VA
- Emergency power supply 24Vdc
- Operating temperature range -10°C to +60°C
- Operating humidity range: 20% to 80% non condensing
- On-board obstacle detection (door re-opening) feature
- Separately adjustable opening and closing speed
- Integrated self-learning cycle and automated speed profiles setting

DOOR AND FRAME FINISHES

STANDARD

OPTIONS

DOOR AND FRAME FINISHES	STANDARD	OPTIONS
RAL 7032	✓	✗
Other RAL Colours	✗	✓
Framed glass panels and side posts	✗	✓
Stainless-steel claddings	✗	✓
Skinplate claddings	✗	✓

BOTTOM TRACK

STANDARD

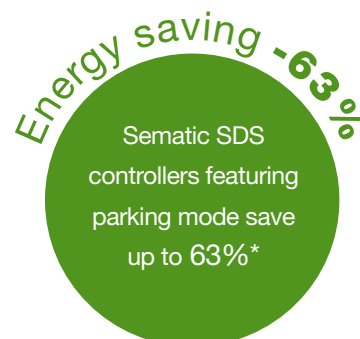
OPTIONS

BOTTOM TRACK	STANDARD	OPTIONS
Galvanized steel	✓	✗
Stainless-steel	✗	AISI 304 / AISI 316

SEMATIC FOR ENERGY SAVING

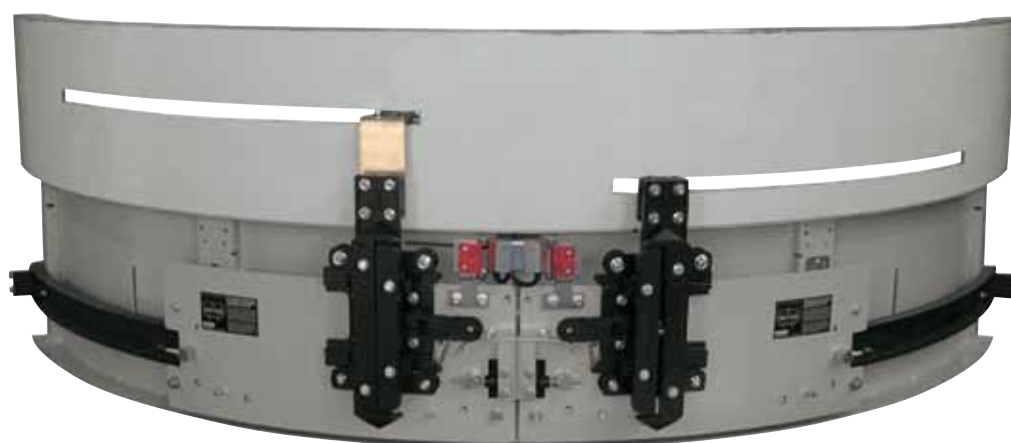
At Sematic, we take our energy use seriously. We have developed a set of technological devices that allow our elevator components to use as little energy as possible, such as our **Sematic SDS door controller**.

* Door power consumption difference between normal standby mode and parking mode measured in laboratory



EN-81

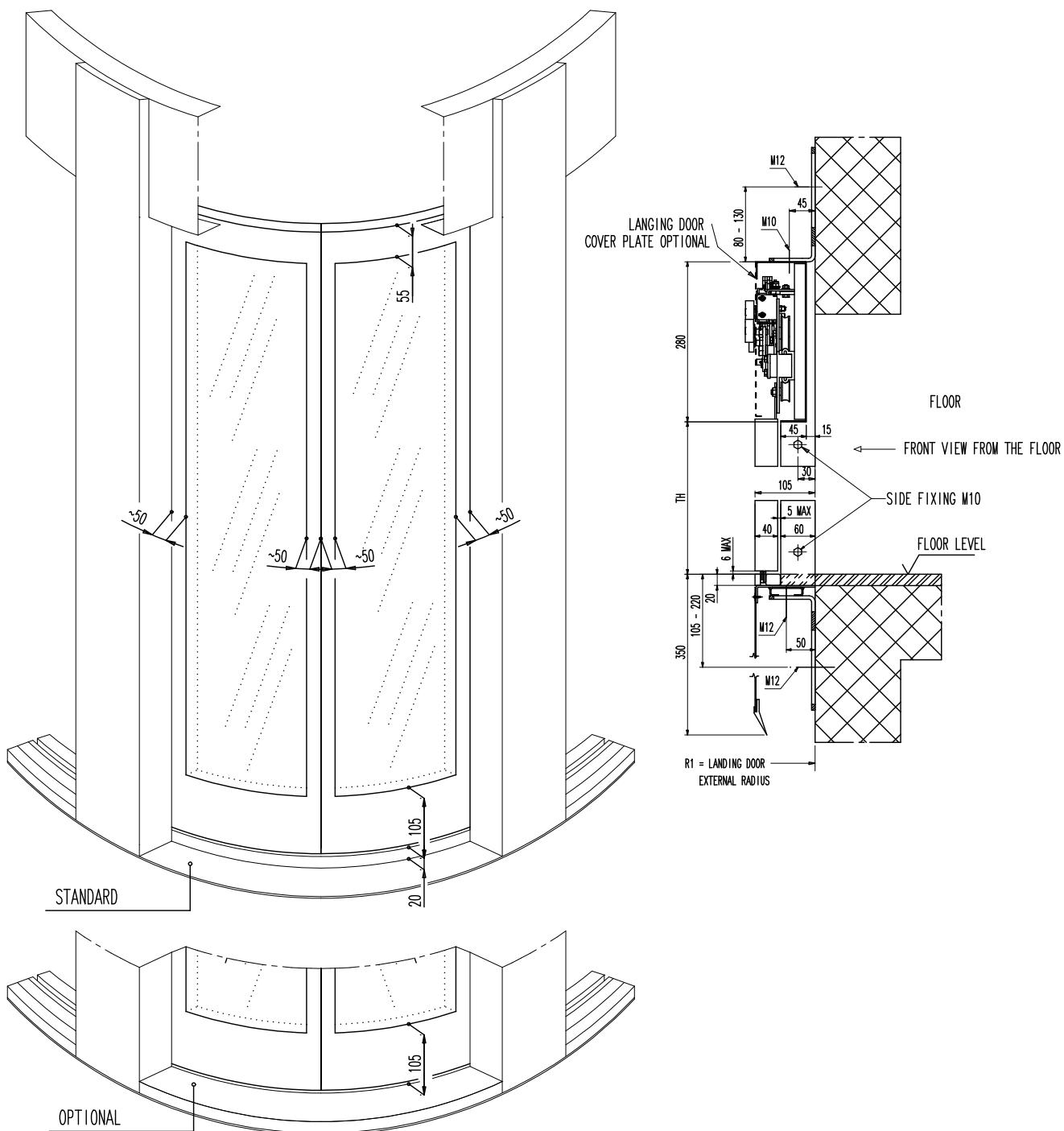
MAIN FEATURES	STANDARD	OPTIONS
Certified locking device	EN81-1/2:1998 Lift Directive 95/16/EC	x
Emergency lock release	Integrated into the header	x
Door closing	Spirator	Counterweight
Toe guard	✓	x
Door brackets kit	Header, door posts and bottom track	x
Door panels	Single skin	Double skin
Long life guide shoes	✓	x
Impact robust packaging	Cardboard box- ISPM15	x
Reduced door posts	x	Custom
Cladding	x	Front/rear for panoramic lifts
Push button cut-out (LOP)	x	✓
Upper tracks	x	Aluminum
Mechanism cover plate	x	✓
Portal construction	x	Enlarged door posts / header
Sematic E.O.D (Emergency Opening Device)	x	✓
Smoke-seal/Air-seal execution	x	✓
Anti-vandal execution	x	EN 81-71
Water-resistant contacts	IP-65	x
Full frame	Complete of 400x60mm standard door posts	x
Rollers	x	Larger diameters



EN-81

MAIN FEATURES	STANDARD	OPTIONS
Skate	Aluminum	Fixed
Motorization	See pag. 121	x
Door controller	SDS	x
Car fixing brackets	✓	x
Door panels	Single skin	Double skin
Long life guide shoes	✓	x
Slim operator that allows safety glass roof	✓	x
Impact robust packaging	Cardboard box- ISPM15	x
Locking device	x	EN81-1/2
Toe guard	x	✓
Detecting system	x	Static
Sematic E.O.D (Emergency Opening Device)	x	✓
Cabin internal diameter	Minimum 930 mm	x
Anti-vandal execution	x	EN 81-71
Under-driven operator	x	✓
Water-resistant contacts	IP-65	x
Cladding	x	Front/rear for panoramic lifts
Upper tracks	x	Aluminum
Landing door lock release key	✓	x
Rollers	x	Larger diameters

2Z LAYOUT: FRONT, SIDE VIEWS AND COUPLING



NOTES

- For further information see our technical catalogues



Italy

Sematic Spa - Group Headquarters

Via Zappa Comm. Francesco, 5
24046 Osio Sotto, Bergamo
Tel. +39 035 48 15 100 - Fax +39 035 48 15 199
e-mail info@semaic.com

Sematic Spa- Suisio Plant

Via dei Piazzoli, 1/5
24040 Suisio, Bergamo
Tel. +39 035 49 36 111 - Fax. +39 035 90 24 51
e-mail info@semaic.com

United Kingdom

Sematic UK Ltd

Meadow Gate, Valley Park Est.
Wombwell, Barnsley, South Yorkshire S73 0UN
Tel. +44 1226 344 800 - Fax. +44 1226 344 811
e-mail info@uk.semaic.com

Turkey

Sematic Asansör San.ve Tic.Ltd.Sti.

Necip Fazıl Bulvarı Keyap Çarşı Sitesi F2 Blok No.99
Yukarıdudullu / Ümraniye, 34775 İstanbul
Tel. +90 216 508 1470 (PBX) - Fax +90 216 508 1473
e-mail info@tr.semaic.com

Hungary

Sematic Hungária Kft

Debreceni út 273
4400 Nyiregyháza
Tel. +36 42 548 410 - Fax +36 42 548 419
e-mail info@hu.semaic.com

Singapore

Sematic Singapore Pte Ltd

8 Burn Road, 1301 Trivex
369977 Singapore
e-mail info@sg.semaic.com

China

Sematic Elevator Products (Suzhou) Co., Ltd

215121, No. 52 Weixi Road, Weiting Science Park
Suzhou Industrial Park
Tel. +86 512 8717 1819 - Fax +86 512 8717 1820
e-mail info@cn.semaic.com

Sematic Elevator Products (Changshu) Co.,Ltd.

215558, No 18 Jinmen Road Changshu Southeast
Economic Development Zone of Jiangsu
Tel. + 86 512 8717 1819 - Fax +86 512 8717 1820
e-mail info@cn.semaic.com

Sematic (Hong Kong) Ltd

Unit 1807, Mindas Plaza, No. 1 Tai Yau Street,
San Po Kong, Kowloon, Hong Kong
Tel. +852 219 47 166 - Fax +852 219 47 322
e-mail info@hk.semaic.com

India

Sematic RE Elevator Products (India) Pvt. Ltd

Madhuban, F-Wing, 1st Floor, W.E. Highway, Near Dahisar
Telephone Exchange, Dahisar (E), Mumbai 400068
Tel. +91 022 2897 2184 / 3184 - Fax +91 022 2897 8643
e-mail info@in.semaic.com

Mexico

Sematic Elevadores Mexico S. de R.L. de C.V.

Bldv Revolucion Mexicana n°1001 Col Barrera,
Monclova, Coahuila 25770
Tel. +52 (866) 648 3365 / 66 / 67 - Fax (ext 160)
e-mail info@tyler.semaic.com

USA

Tyler Elevator Products Div. of Sematic USA Inc.

7852, Bavaria Road
Twinsburg, Ohio 44087
Tel. +1 216 524 0100 - Fax. +1 216 524 9710
e-mail info@tyler.semaic.com

www.semaic.com