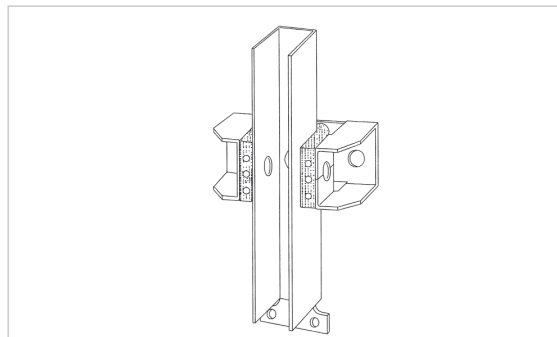


## Spare parts suitable for Otis



Inserts*	Art.no.	Dimensions [mm]	Rail width	Indication
with cones	309 111	143 x 22 x 8	-	flat
with cones	309 112	143 x 25 x 5,2	-	flat
with cones	309 116	100 x 22 x 8,4	-	flat
with cones	309 201	100 x 25 x 5,2	-	flat
with cones	309 502	196 x 25 x 5,8	-	flat
with cones	309 506	196 x 20 x 5,8	-	flat
with cones	312 135	150 x 21,5 x 33,5	9 mm	folded
with cones	312 131	150 x 21,5 x 33,5	16 mm	folded
with cones	312 150	150 x 30 x 6	-	flat
with cones	312 155	150 x 20 x 6	-	flat

\*Material: ETN®-HM-1000



## Replacement rollers

Type	Art.no.	Dimensions [mm]
VSL*	450 025	Ø 70/25 x 25
VAL**	480 090	Ø 95/16 x 29
VSL*	450 180	Ø 98/17 x 30/25
VSL*	450 150	Ø 100/17 x 30
VSL*	450 013	Ø 100/25 x 25
VSL*	450 122	Ø 125/17 x 30
VSL*	450 181	Ø 200/17 x 35/11

\* VSL = Vulkollan®-steel core and ball bearing

\*\* VAL = Vulkollan®-aluminium core and ball bearing

more products on request

